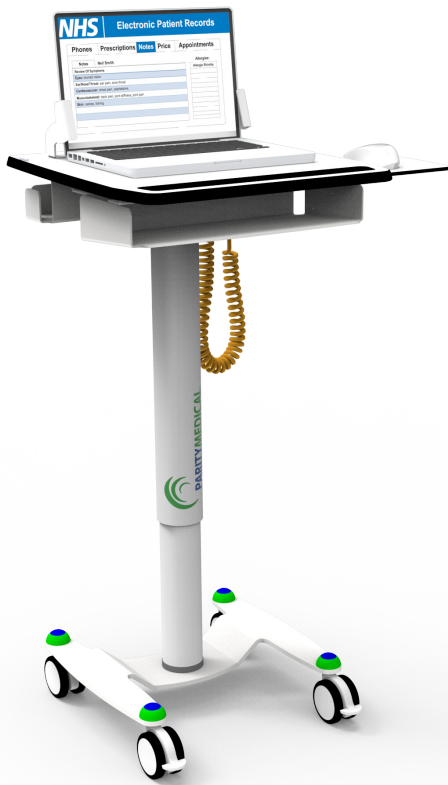


UltraLite

The ultimate laptop cart – compact, agile, and robust



The image above shows the UltraLite with a laptop mount, but the cart can alternatively be configured for tablets or small all-in-one PCs, such as our 15" medical-grade Infinity all-in-one PC. The all in one PC includes:

- An intuitive, full-HD touchscreen display.
- Dual hot-swappable batteries for 24/7 constant power.
- Intel i5 CPU, ultra-fast SSD and 16GB memory.
- Unique battery management software with remote monitoring.
- Front panel is IP65 rated for protection from water and dust.
- 3-year warranty.

For more info on our Infinity all-in-one PCs or to enquire about a cart bundle package, please get in touch with our sales team, who will be happy to help. Our contact details are below.

Features

The smallest and lightest cart in our range, the UltraLite is the perfect choice for small congested spaces. Compatible with laptops, tablets, and small all-in-one PCs, it's great for enhancing workflow at the point of care.

- ✓ Simple hand-operated height adjustment
- ✓ Slide-out mouse tray for left or right-handed use helps to save space on the work surface
- ✓ Can be configured to allow for a range of accessories
- ✓ Work surface is durable and resistant to hospital cleaning agents

Benefits

- Small footprint and lightweight design makes the cart easy to position in tight spaces.
- Conveniently placed grab handles allow precise and easy movement.
- Front two wheels are lockable to ensure the cart remains stationary when in use.
- Designed for infection control and ease of cleaning.
- An ergonomically-designed base allows the user to find their perfect standing or seated position.
- Front metal shelf allows for storage of any papers or folders, helping to keep the work surface tidy.
- Rear compartment under the work surface provides space for clean cable management.
- Comprehensive 5-year cart warranty.

Areas of use

The UltraLite is perfect for any area with congested spaces, such as:

- A&E / ED
- Wards

Compatible with



Tablet



Laptop



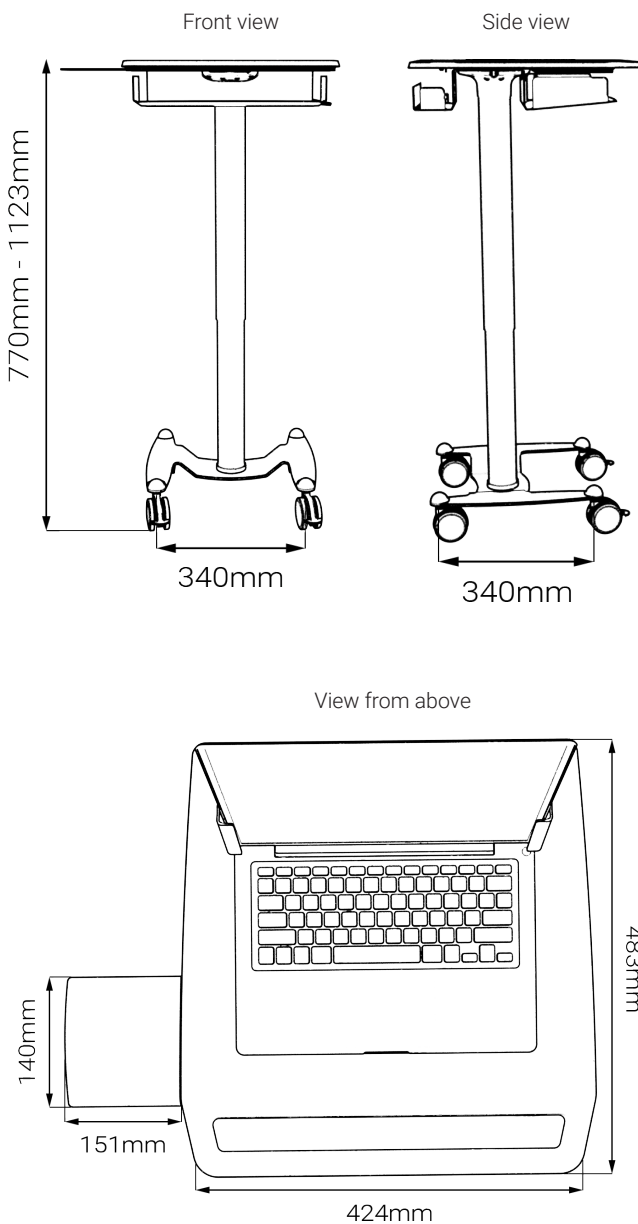
Infinity all-in-one PC*

*Maximum 15" display

UltraLite

The ultimate laptop cart – compact, agile, and robust

Drawings



Main specifications

Height (extended)	1123 mm
Height (compressed)	770 mm
Weight (base cart only)	18 kg
Work surface dimensions	424 mm (width) x 483 mm (depth)
Cart base dimensions	340 mm (width) x 340 mm (depth)
Adjustable security laptop bracket widths	322 mm (minimum width) 418 mm (maximum width)

Approved cleaning solutions

- Quaternary ammonium chloride compounds (such as AirX109)
- Bleach-Household strength (1:10 minimum dilution strength)
- Ethyl or Isopropyl alcohol-70%
- Hydrogen Peroxide
- Phenolic disinfectants (such as Lysol, WexCide)
- Ovation
- Fantastic
- Formula 409
- 1.6% Aqueous Ammonia
- "Green Soap" USP (United States Pharmacopoeia)
- Clinell Wipes
- Chlor Clean



Direct purchase



Made in the UK



Project management



Device configuration



Phased delivery



Instant support

Common accessories



Printer



Scanner



Infection control mouse

Version 2.0

