

Energise sit-stand desk

Stand up for your health



Features

Join the sit-stand revolution with the only electronic height adjustable desk designed for healthcare. Adjust between sitting and standing with the simple touch of a button and make musculoskeletal injuries caused by prolonged sitting a thing of the past. By improving employee health, hospitals can make significant savings through reduced sickness absence.

Use a revolutionary app to encourage healthier sit-stand habits, improve blood flow and track how many calories you burn too! This helps keep staff feeling alert, increasing productivity and reducing tiredness day-to-day.

Sit-stand desks are no longer a luxury, they're essential for keeping a workforce productive and healthy.

- ✓ Designed with the highest infection control standards
- ✓ Sturdy and highly durable – built for everyday use in a healthcare setting and for long hours.
- ✓ Maximise user comfort with effortless sit-stand transitions and fully adjustable monitors that can be raised, lowered, tilted, and rotated.

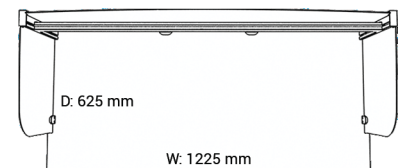
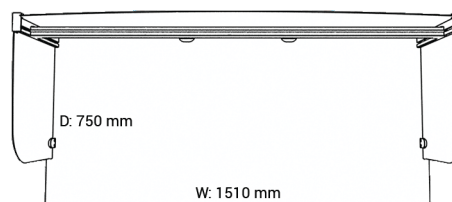
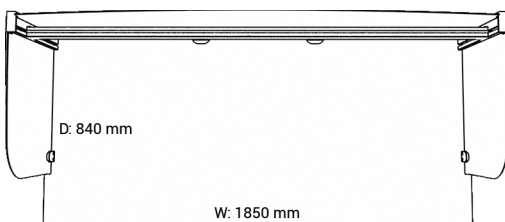
We manufacture and assemble the Energise sit-stand table in our own warehouse to deliver pre-assembled at your hospital. Our experienced engineers can also come and install them in your reading room around your workflow. We can either mount your existing displays or add new ones so you're set up and ready to go.

For more info on our Energise tables or to enquire about a bundle display package, please get in touch with our sales team, who will be happy to help. Our contact details are below.

Designed to suit your needs

- Offers a smooth, quiet three-stage telescopic variable height adjustment
- Sit or stand in seconds
- Low standby power of 0.1W
- Patented anti-collision technology
- Hard-wearing, easy-to-clean work surface
- Sleek cable management
- Configurable shelving options to suit your IT peripherals
- Configurations to suit your IT set-up
- Ambient backlighting options to minimise eye fatigue
- Available in 3 different sizes (see below)

Available in three sizes

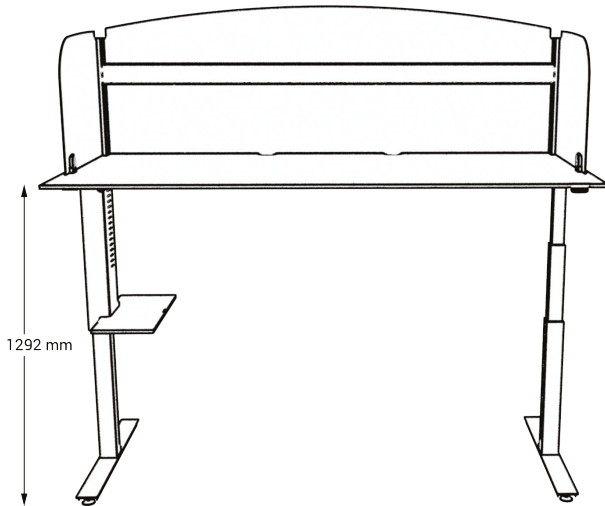


Energise sit-stand desk

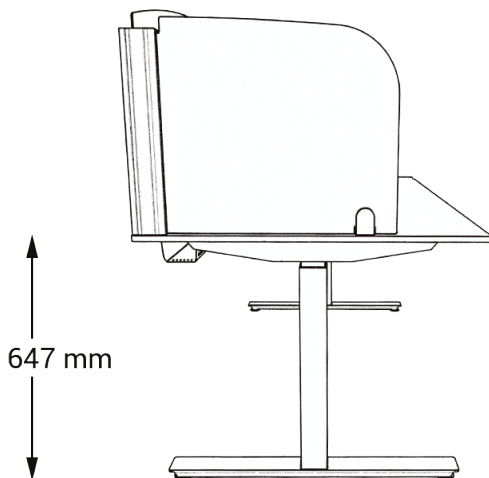
Stand up for your health

Drawings

Fully raised height - front view



Fully lowered height - side view



Main specifications

| | |
|-------------------------|--|
| Height (fully raised) | 1292 mm |
| Height (fully lowered) | 647 mm |
| Adjustable height | 645 mm |
| Constant speed | 40 mm/s |
| Work surface dimensions | Small: 1225 mm (width) x 625 mm (depth) Medium: 1510 mm (width) x 750 mm (depth) Large: 1850 mm (width) x 840 mm (depth) |
| Work surface thickness | 16 mm (all sizes) |
| Max. load | 120 kg |

Customisation options

- Privacy panels
- PC shelf
- Printer shelf
- Cable management rack with integrated power distribution unit
- Height adjustable display mounting rail
- Display mounts
- Three sizes available



Direct purchase



Made in the UK



Project management



Device configuration



Phased delivery



Instant support

