

Energise Sit-Stand Desk

Stand up for your health



Join the sit-stand revolution with the only smart electronic height adjustable desk designed for healthcare. Hospital-grade, highly durable and easy to clean.

Ergonomics and height adjustment.

- Smooth, quiet electronic height adjustment
- Sit or stand in seconds
- 3-stage telescopic variable height adjustment
- Low standby power of 0.1W

Configured to suit you.

- Available in 3 different sizes
- Configurable shelving options to suit your IT peripherals
- Configurations to suit your IT set-up

Designed for healthcare.

- Large, cleanable work surface
- Sleek cable management
- Patented anti-collision technology
- Privacy panels to avoid distractions/noise
- Fully adjustable displays (tilt and swivel)

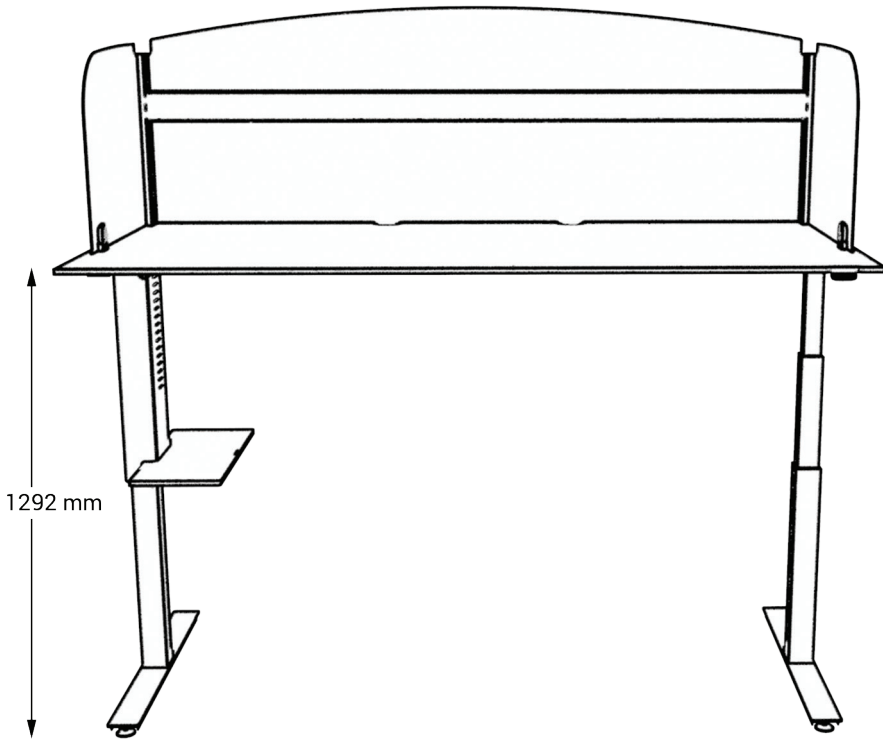
Work surface built for healthcare.

- Hard-wearing and durable work surface
- Large space for monitors, IT equipment and space for paper
- Easy-clean surface for infection control

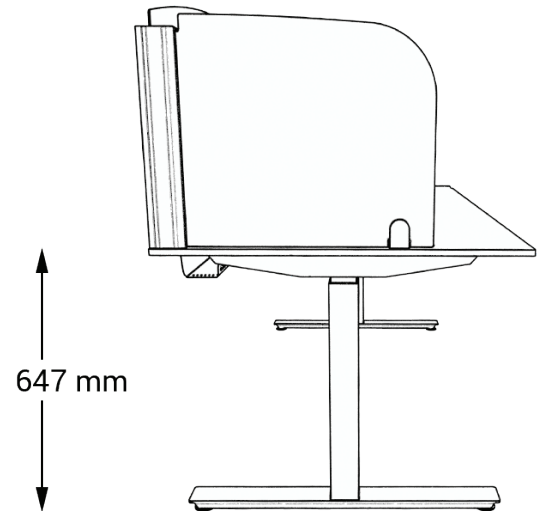
Energise Sit-Stand Desk

Stand up for your health

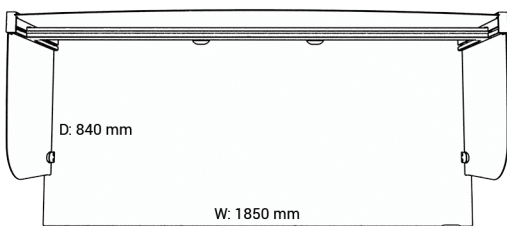
Desk Fully Raised



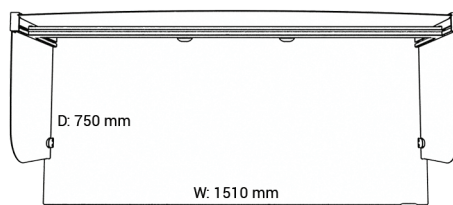
Desk Fully Lowered



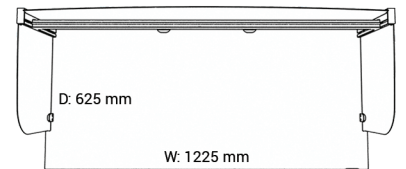
Large Work Surface



Medium Work Surface



Small Work Surface



Work Surface

	Small	Medium	Large
Depth	625 mm	750 mm	840 mm
Width	1225 mm	1510 mm	1850 mm
Thickness	16 mm	16 mm	16 mm

Customisation Options

- Privacy panels
- PC shelf
- Printer shelf
- Cable management rack with integrated power distribution unit
- Height adjustable display mounting rail
- Display mounts
- ~~Bluetooth functionality (needed for compatibility with app)~~
- Three sizes available

Frame and Legs

Height - Fully Lowered	647 mm
Height - Fully Raised	1292 mm
Adjustable Height	645 mm
Max Load	120 kg
Constant Speed	40 mm/s