

Energise Radiology Workstation

Take ergonomic working to the next level



Re-energise your radiology team with the Energise Radiology Workstation. Sit-stand working makes reporting more comfortable, improves health and productivity. It has been designed in-line with the Royal College of Radiologists ergonomic guidelines.

Ergonomics and height adjustment.

- Smooth, quiet electronic height adjustment
- Sit or stand in seconds
- 3-stage telescopic variable height adjustment
- Low standby power of 0.1W
- Patented anti-collision technology

Configured to suit you.

- Home reporting workstation option
- Available in 3 different sizes
- Configurable shelving options
- Optional Smart App to control or track habits

Designed for radiologists.

- Options for a PACS, mammography or home reporting workstation
- Privacy panels to avoid distractions/noise
- Fully adjustable displays (tilt and swivel)
- Configure your current displays or new
- We can provide Barco and EIZO displays up to 12MP

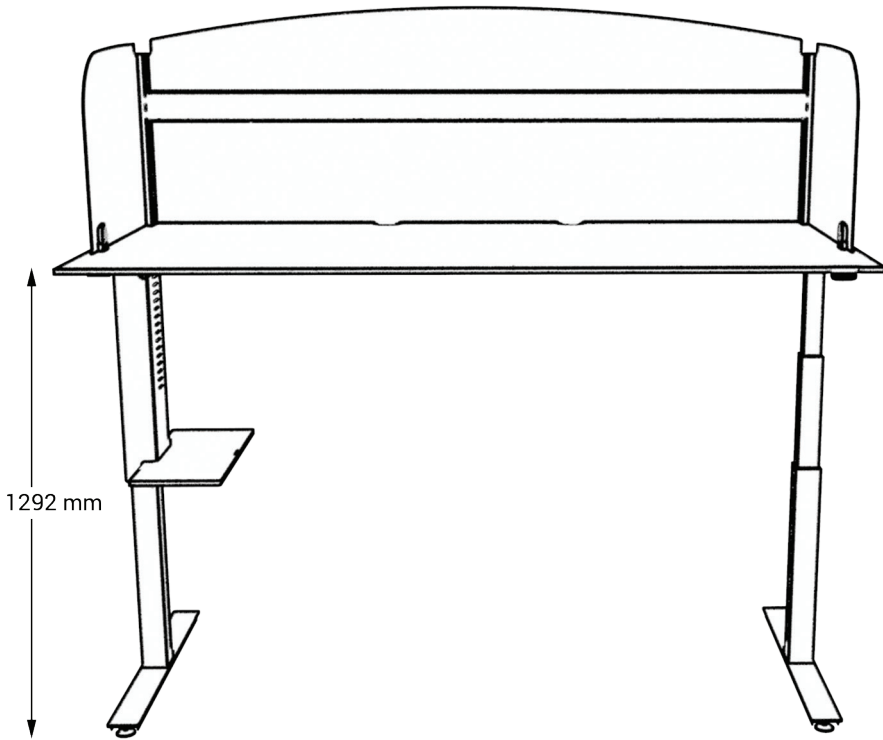
Work surface built for radiologists.

- Hard-wearing and durable worksurface
- Large space for monitors, IT equipment and space for paper
- Easy-clean surface for infection control

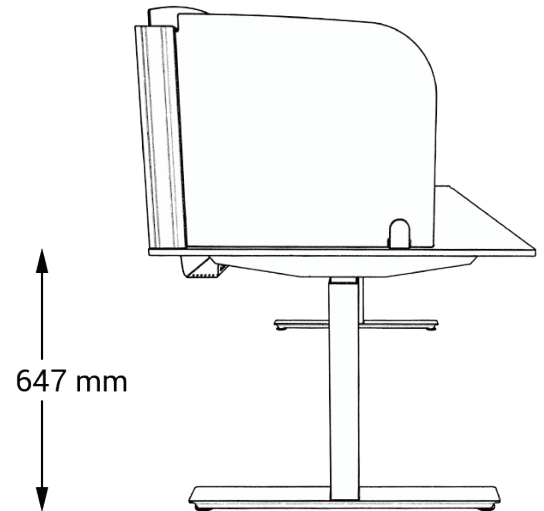
Energise Radiology Workstation

Take ergonomic working to the next level

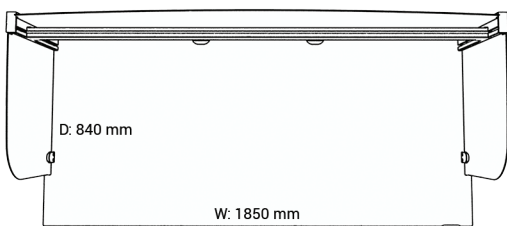
Workstation Fully Raised



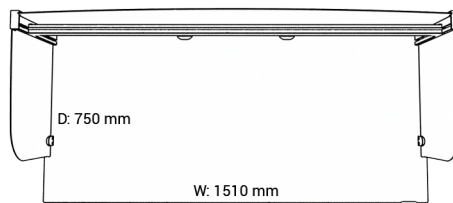
Workstation Fully Lowered



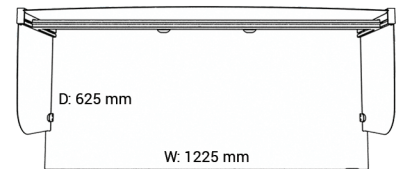
Large Work Surface



Medium Work Surface



Small Work Surface



Work Surface

	Small	Medium	Large
Depth	625 mm	750 mm	840 mm
Width	1225 mm	1510 mm	1850 mm
Thickness	16 mm	16 mm	16 mm

Customisation Options

- Privacy panels
- PC shelf
- Printer shelf
- Cable management rack with integrated power distribution unit
- Height adjustable display mounting rail
- Display mounts
- Bluetooth functionality (needed for compatibility with app)
- Three sizes available

Frame and Legs

Height - Fully Lowered	647 mm
Height - Fully Raised	1292 mm
Adjustable Height	645 mm
Max Load	120 kg
Constant Speed	40 mm/s